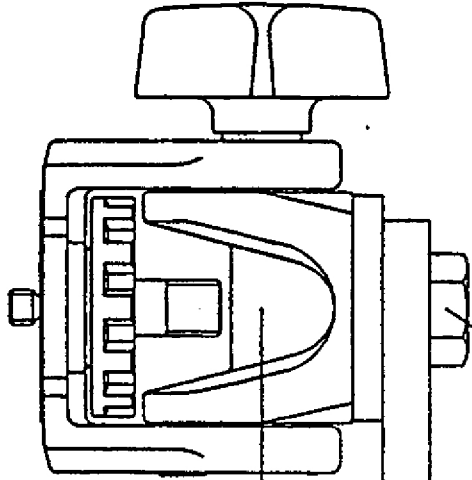


# Manfrotto nord

ART.  
356

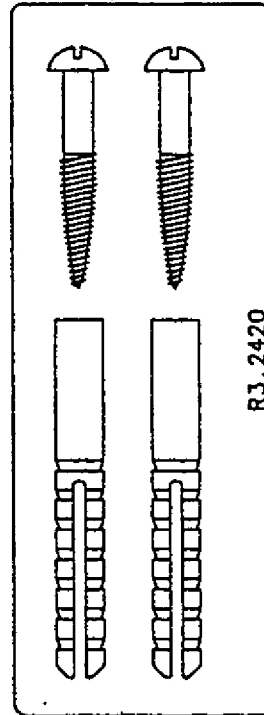
VERSION: 002  
DEL: 16-06-93



ART. 234

356.01

3.0279 UNC 3/8" X 3/4" TE ZINCATA



RJ.2420