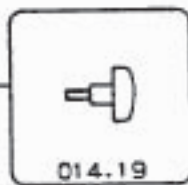
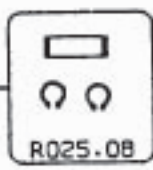
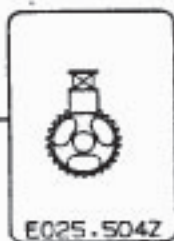
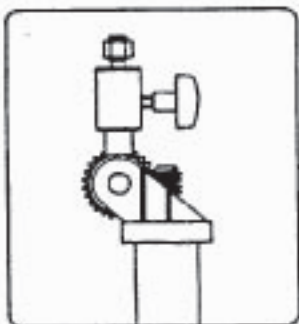


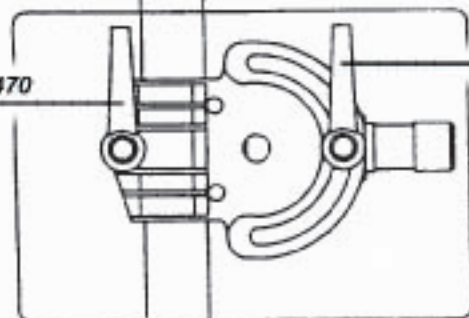
Lino Manfrotto + CO., SpA

ART.
025

VERSION: 002
DEL: 08-03-91

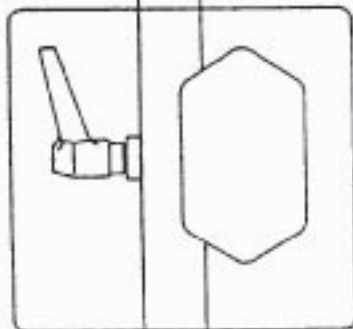


025.01



R025,20

ART.123



ART.022

